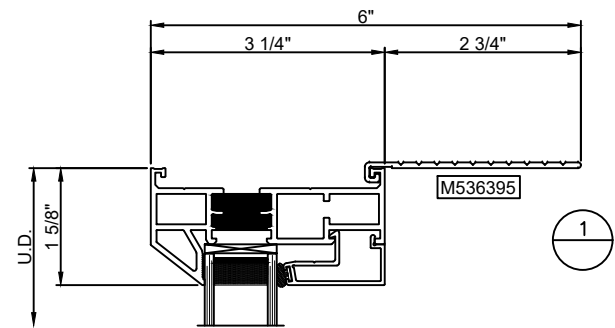
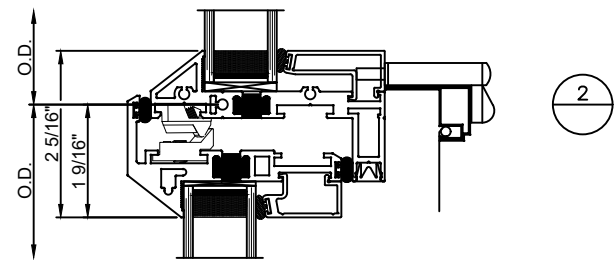


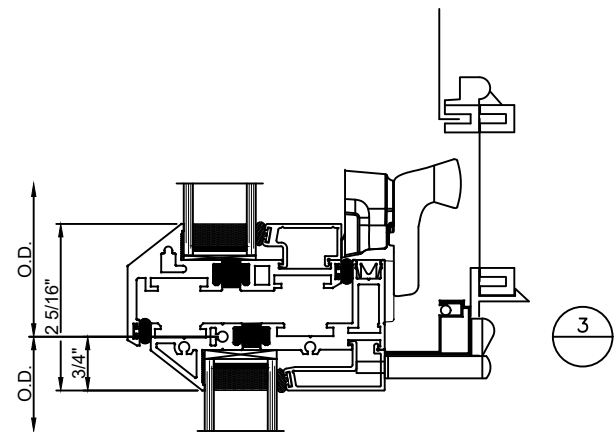
**EXTERIOR**



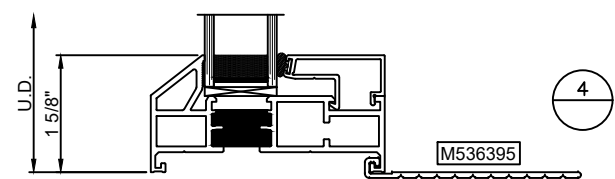
1



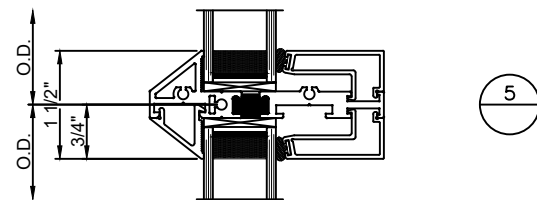
2



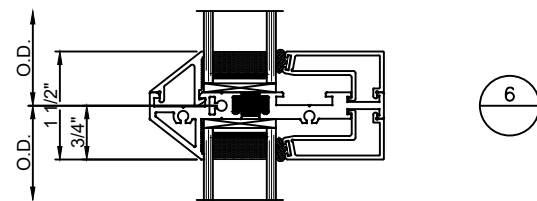
3



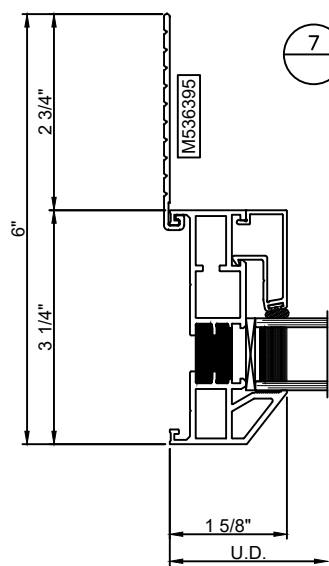
4



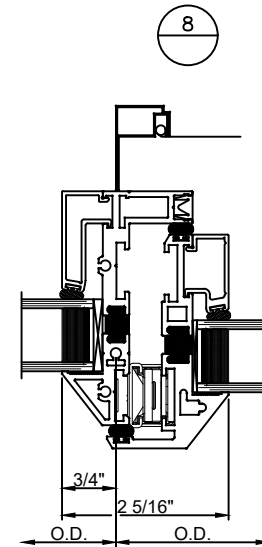
5



6



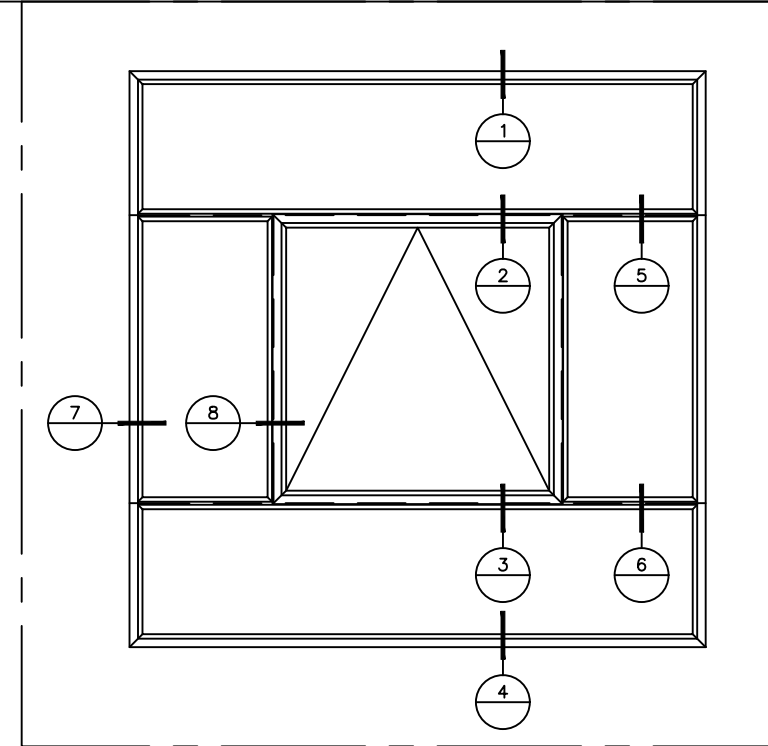
7



8

**EXTERIOR**

SERIES	H450
CONFIGURATION	FLOATING OPERATOR
INSTALLATION METHOD	INTERIOR ANCHOR STRAP
<p>Quaker reserves the right to change any/all designs without notice. Due to periodic re-certification requirements, result shown may vary.            Installation methods shown are generic. No sealant shown on details.            Accessory part numbers are shown on the cut sections.            Contact Quaker if job specific details are required.            This Document contains confidential and proprietary information intended for the private use of Quaker.            2015 Quaker Window Products Co., Inc.            All rights reserved.</p>	



Project Name: **QUAKER DETAILS**

Description: **CUT DETAILS**

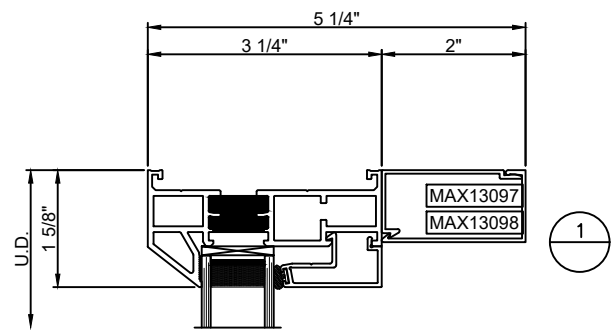
**QUAKER**  
 COMMERCIAL

Drawn By: **QWP**  
 Checked By: **----**  
 Scale: **3/8"=1"**  
 Sheet #: **C1**

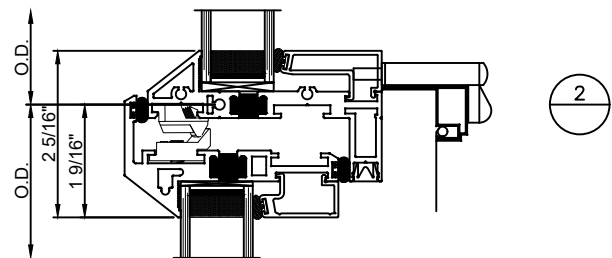
PHONE (573)-744-5211  
 FAX (573)-744-5586  
 COMMERCIAL  
 FAX (573)-744-5822  
 www.quakercommercialwindows.com

Drawing Created  
 3/3/22

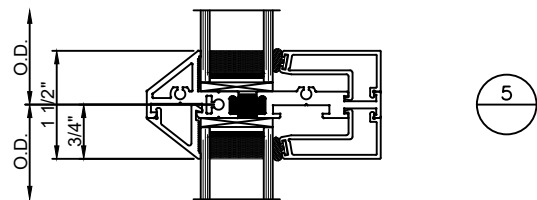
**EXTERIOR**



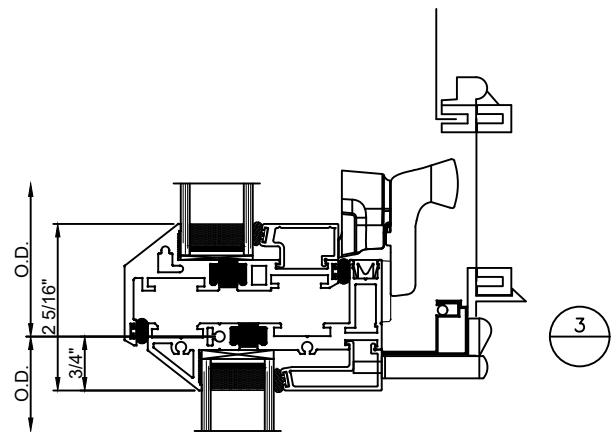
1



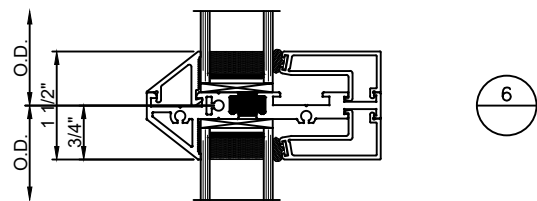
2



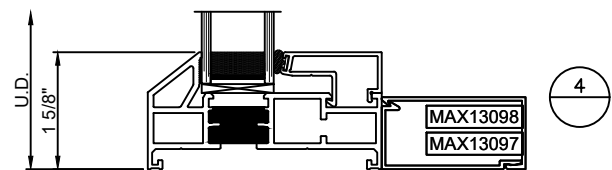
5



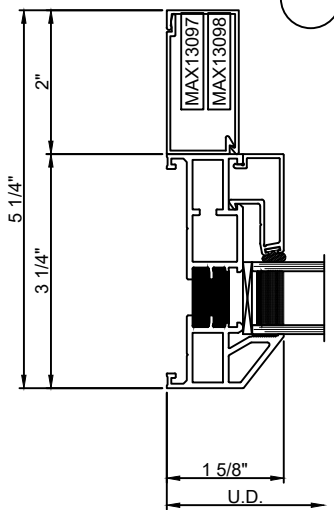
3



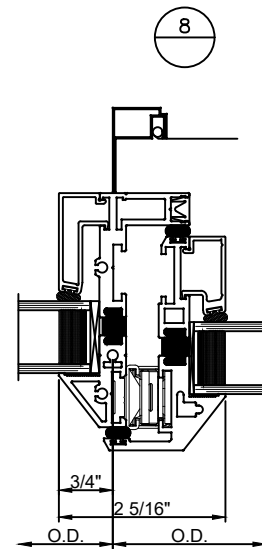
6



4



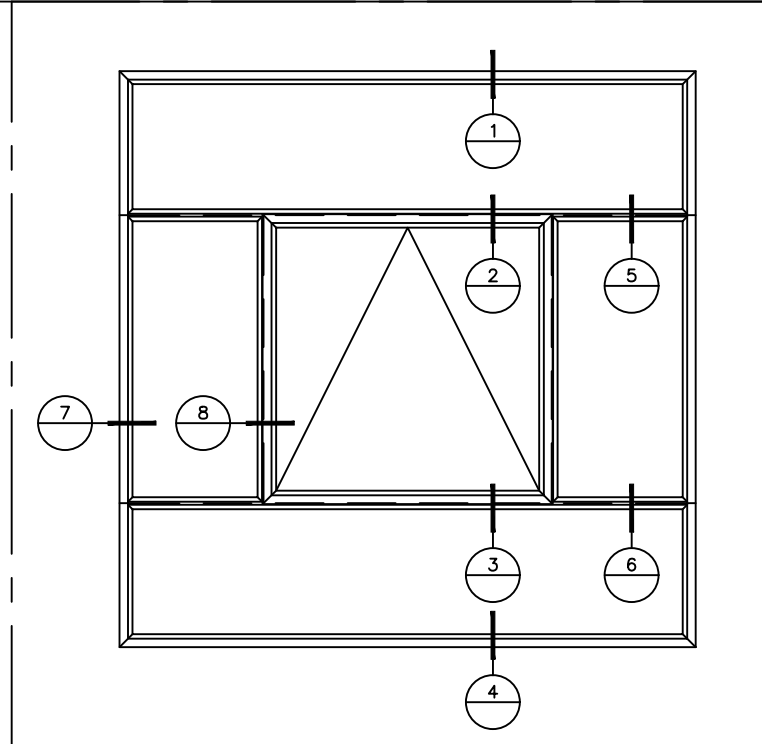
7



8

**EXTERIOR**

SERIES	H450
CONFIGURATION	FLOATING OPERATOR
INSTALLATION METHOD	INTERIOR SNAP TRIM
<p>Quaker reserves the right to change any/all designs without notice. Due to periodic re-certification requirements, result shown may vary.            Installation methods shown are generic. No sealant shown on details.            Accessory part numbers are shown on the cut sections.            Contact Quaker if job specific details are required.            This Document contains confidential and proprietary information intended for the private use of Quaker.            2015 Quaker Window Products Co., Inc.            All rights reserved.</p>	

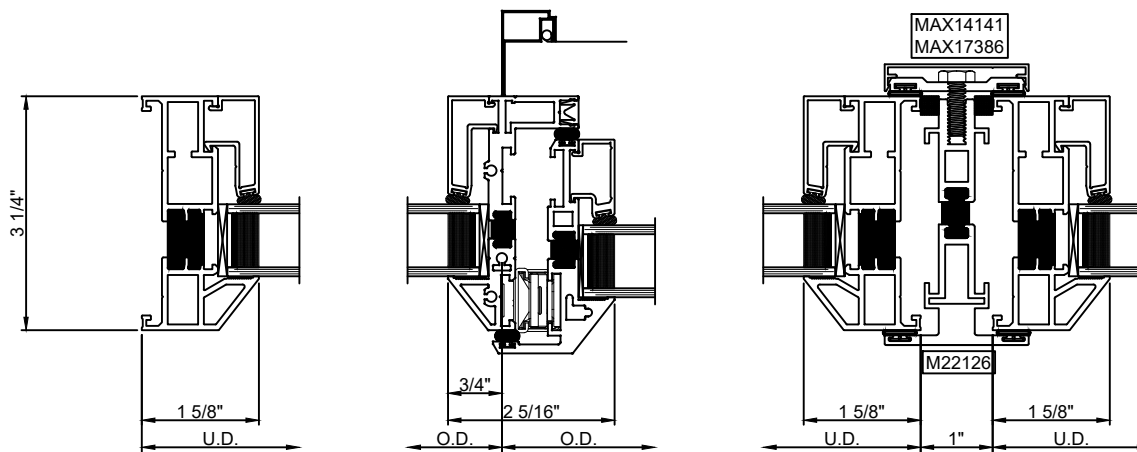
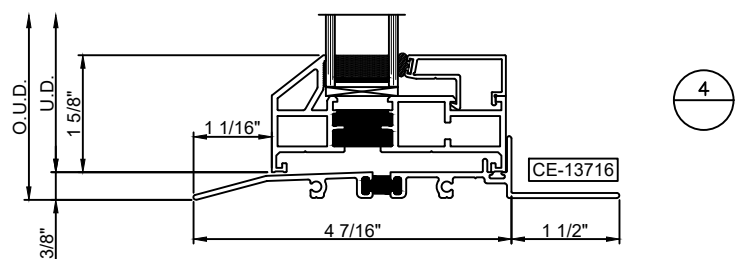
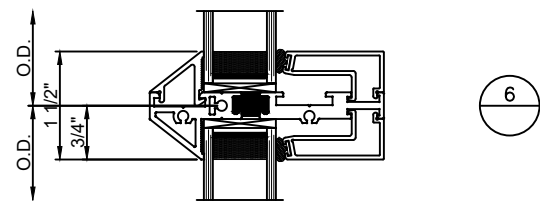
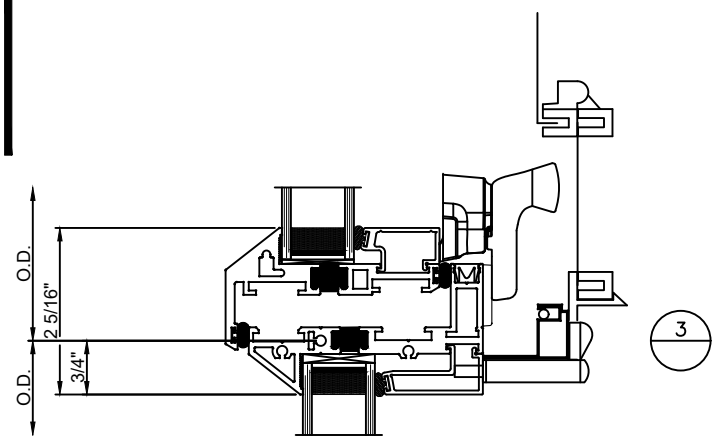
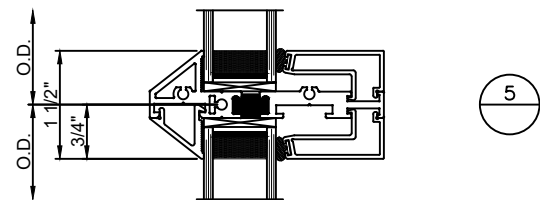
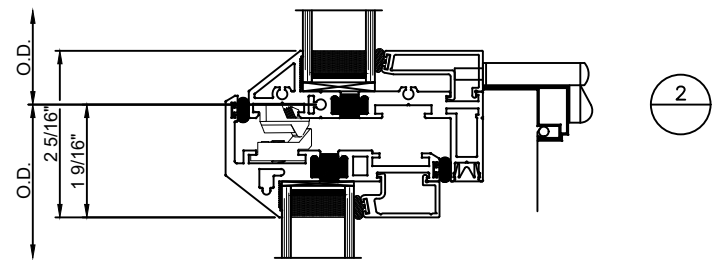
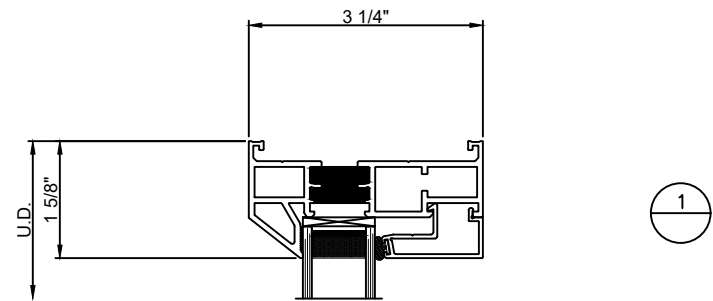


Project Name: **QUAKER DETAILS**

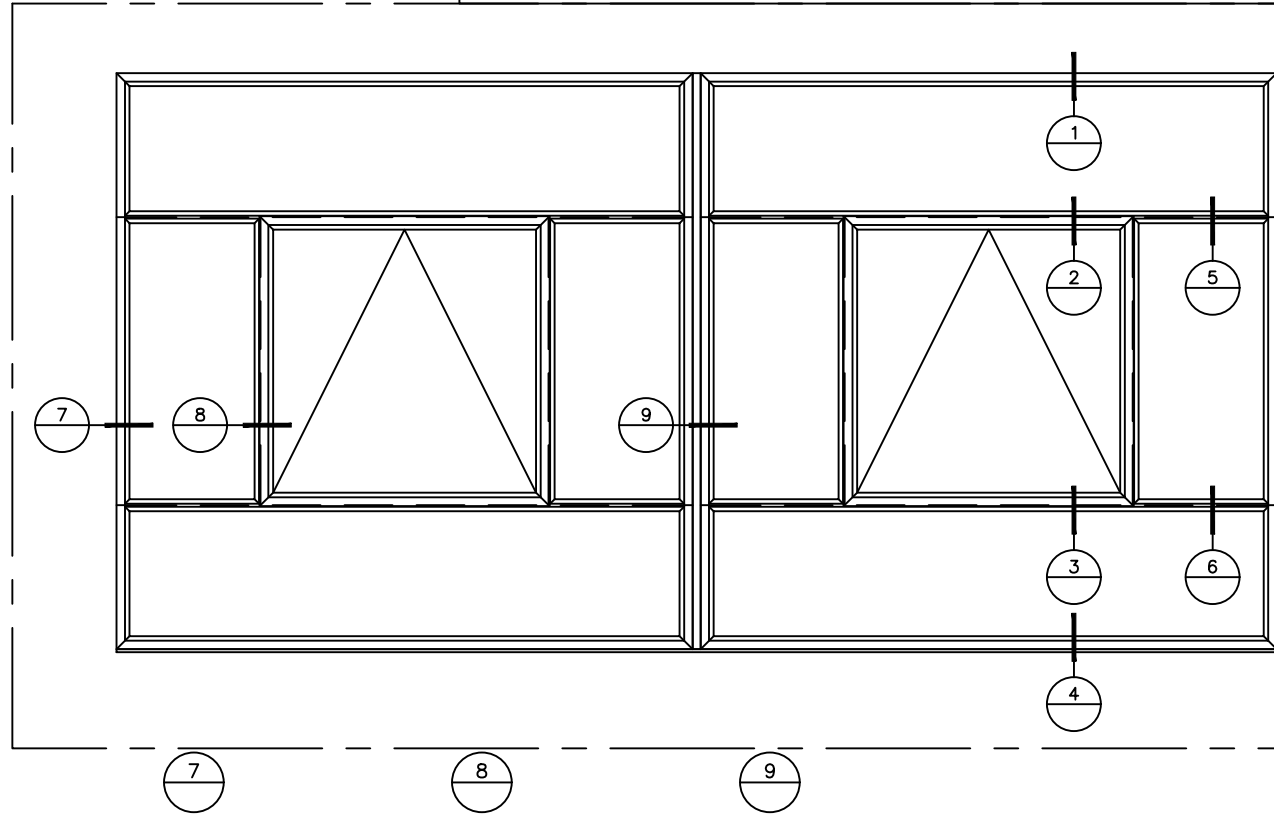
Description: **CUT DETAILS**

**QUAKER**  
 COMMERCIAL  
 Scale: 3/8"=1"  
 Sheet #: C2  
 Drawn By: QWP  
 Checked By: -----  
 504 Highway 63 South  
 Freeburg, MO 65035  
 PHONE (573)-744-5211  
 FAX (573)-744-5586  
 COMMERCIAL  
 FAX (573)-744-5822  
 www.quakercommercialwindows.com

Drawing Created  
 3/3/22



**EXTERIOR**



SERIES	H450
CONFIGURATION	FLOATING OPERATOR
INSTALLATION METHOD	VERTICAL T-MULL LOW PROFILE SILL FLASHING
<p>Quaker reserves the right to change any/all designs without notice. Due to periodic re-certification requirements, result shown may vary.          Installation methods shown are generic. No sealant shown on details.          Accessory part numbers are shown on the cut sections.          Contact Quaker if job specific details are required.          This Document contains confidential and proprietary information intended for the private use of Quaker.          2015 Quaker Window Products Co., Inc.          All rights reserved.</p>	

**EXTERIOR**

Project Name: **QUAKER DETAILS**

Description: **CUT DETAILS**

**QUAKER**  
C O M M E R C I A L

PHONE (573)-744-5211  
 FAX (573)-744-5586  
 COMMERCIAL  
 FAX (573)-744-5822  
 www.quakercommercialwindows.com

Scale: 3/8"=1"  
 Sheet #: C3  
 Drawn By: QWP  
 Checked By: -----

Drawing Created 3/3/22